

Product data sheet

Characteristics

9050JCK70V14

Timing Relay, Type JCK, plug In, multifunction, programmable, 0.5 second to 999 hours, 10A, 240 VAC, 24 VAC/DC

Product availability : Stock - Normally stocked in distribution facility



Main

Product range	9050JCK
Product type	Timer
Timing mode	Watchdog On-delay and off-delay One shot falling edge One shot Trigger on-delay Off-delay On-delay Interval Repeat cycle
Timing range	0.1...99.9 h 0.05...9.99 s 0.1...99.9 min 1...999 h 1...999 s 1...999 min
Supply voltage	24 V AC

Complementary

Power consumption	3 VA
Current rating	10 A
Switch function	DPDT
Contact composition	2 NO + 2 NC
Contact material	Silver nickel
Maximum switching voltage	240 V AC
Mounting type	Socket

* Price is "List Price" and may be subject to a trade discount – check with your local distributor or retailer for actual price.

Number of pins	11
Shape of pins	Tubular
For use with	8501NR62 8501NR61

Environment

Certifications	UL Recognized CE UL Listed
Ambient temperature range - operational	-18...150 °F (-28...66 °C)
Height	2.36 in (60 mm)
Width	1.73 in (44 mm)
Depth	3.58 in (91 mm)

Ordering and shipping details

Category	21652 - 9050 JCK60, 70 PROGRAMMABLE TIMERS
Discount Schedule	CP2
GTIN	00785901053897
Nbr. of units in pkg.	1
Package weight(Lbs)	0.28 lb(US) (0.13 kg)
Returnability	Yes
Country of origin	US

Packing Units

Package 1 Height	1.90 in (4.826 cm)
Package 1 width	2.50 in (6.350 cm)
Package 1 Length	4.30 in (10.922 cm)

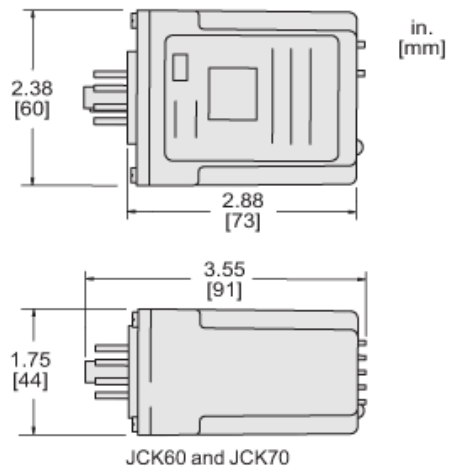
Offer Sustainability

Sustainable offer status	Green Premium product
REACH Regulation	REACH Declaration
REACH free of SVHC	Yes
EU RoHS Directive	Pro-active compliance (Product out of EU RoHS legal scope) EU RoHS Declaration
Toxic heavy metal free	Yes
Mercury free	Yes
RoHS exemption information	Yes
China RoHS Regulation	China RoHS declaration
Environmental Disclosure	Product Environmental Profile
Circularity Profile	End of Life Information

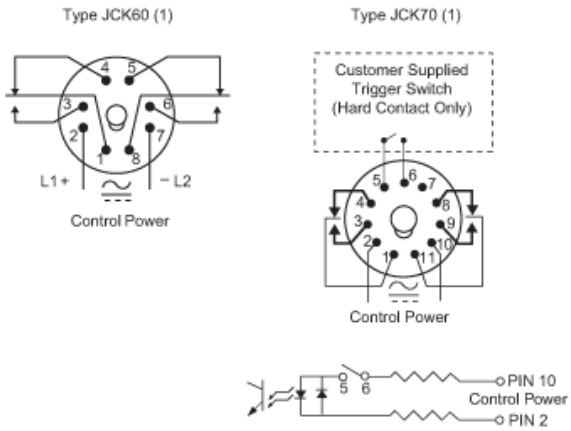
Contractual warranty

Warranty	18 months
----------	-----------

Approximate Dimensions



Connections and Wiring Diagrams



(1) Do not apply DC voltage to the 240 Vac timers (voltage code V24).